

EINSTEIN 8200 FFE (FALLING FILM EVAPORATOR) CONTINUOUS-FEED ETHANOL EVAPORATION AND RECOVERY SYSTEM

EVAPORATION/RECOVERY RATE: 135 GPH (511L)
SOLVENT: ETHANOL, DENATURED ETHANOL
TURN-KEY SYSTEM, ON-SITE INSTALLATION, PERSONAL INSTRUCTION

INCLUDED:

- ALL ANCILLARY EQUIPMENT:
CHILLER
HEATERS
PUMPS
- ACCESSORIES:
CRUDE COLLECTION POT, ETHANOL RECOVERY TANK, COMPR. AIR KIT

ELECTRICAL REQUIREMENTS:

160A @480V, 3-PHASE
12A @120V, 1-PHASE

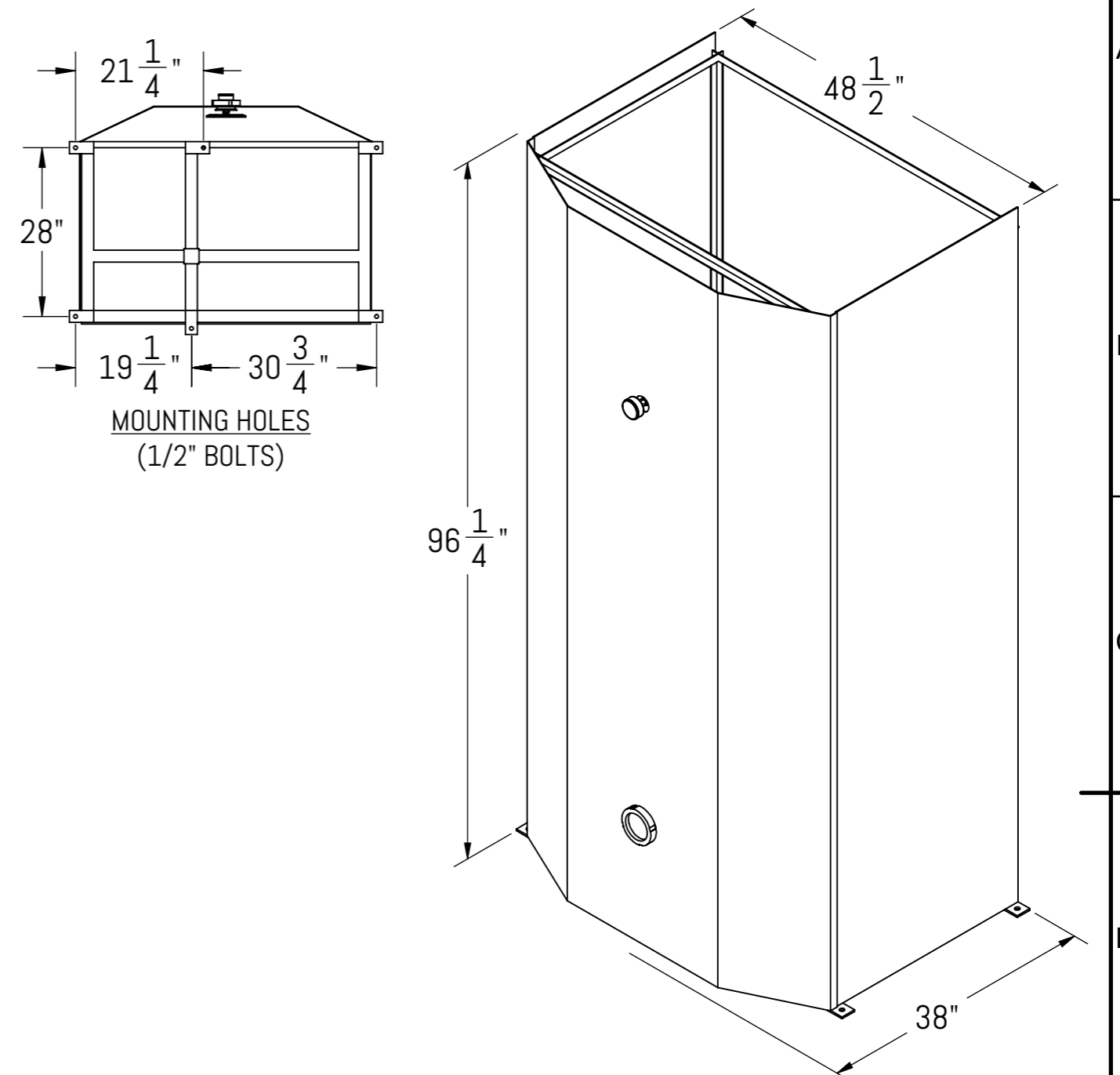
EXCEPTIONAL QUALITY:

SKILLFULLY DESIGNED, DEFTLY MANUFACTURED, AND PROUDLY OVERBUILT IN OREGON, USA
ASME-CERTIFIED WELDERS
FDA COMPLIANT
FOOD-GRADE MATERIALS

EXPRESS WARRANTY ON ALL PARTS MANUFACTURED BY SUBZERO SCIENTIFIC

SAFETY AND CODE COMPLIANCE:

3RD PARTY CERTIFIED FOR SAFETY AND CODE COMPLIANCE FOR STATE, NATIONAL, AND INTERNATIONAL CODES
STATE CERTIFICATIONS: WA, OR, CA, NV, AZ, CO, MN, MI, VT, ME, MA, MD, DC, NM, OK
COMPLIANCE: IFC 2018 SECTION 5003.2, NFPA 30-2018, NFPA 70-2017, ASCE/SEI 7-10
CONTROL AREA REQUIRED FOR CLASS IB, GROUP D FLAMMABLE LIQUID:
PER IFC 2018, 5003.8.3/IBC 2018, 414.2



(GAS HEATER OPTION)

| | | | | |
|--|----------------------|---------------------------------------|--|--------------------------|
| SUBZERO SCIENTIFIC 710 NE CLEVELAND AVENUE, SUITE 120, GRESHAM, OR 97030 | | PROJECTION METHOD: THIRD ANGLE | DESCRIPTION: EINSTEIN 8200 FFE PRODUCT SPECIFICATION | |
| PROUDLY OVERBUILT IN OREGON | | WEIGHT: 1,350 | DRAWN BY: MJG | DRAWN DATE: 8/27/19 |
| UNLESS OTHERWISE SHOWN, DIMENSIONS ARE IN INCHES. | | MATERIALS: FDA COMPLIANT | CHECKED/APP'D BY: LS | CHECKED DATE: 8/27/19 |
| PROPRIETARY AND CONFIDENTIAL THE INFORMATION CONTAINED HEREIN IS THE SOLE PROPERTY OF SUBZERO SCIENTIFIC, LLC. | | FOOD-GRADE | MODEL NUMBER: 900102-001 | |
| DRAWING STANDARD: BS8888 | DO NOT SCALE DRAWING | DOCUMENT TYPE: PRODUCT SPEC. SHEET | DRAWING NUMBER: | SHEET: 1 of 1 |
| | | | | REVISION: 1 |

Subzero Scientific, LLC provides this material as a general guide for our valued customers. No recommendation, proposal, review, or approval of plans, specifications or other information or documentation by Subzero Scientific, LLC shall constitute a representation or warranty that such plans, specifications or other information or documentation satisfy any applicable laws or other requirements or will provide for a safe operation, and no such review or approval shall make Subzero Scientific, LLC otherwise liable with respect thereto. Customers shall be solely responsible for determining whether its plans, specifications, construction and maintenance meet its needs, satisfy applicable laws and other requirements and will provide for safe operation.