

EXT-1200L (1200L ETHANOL EXTRACTOR)

CAPACITY: 317 GALLONS (1200L)
 CYCLE TIME: 20 MIN
 SOLVENT: ETHANOL
 TURN-KEY SYSTEM

INCLUDED:

- ALL ANCILLARY EQUIPMENT
- ACCESSORIES:
 (8X) FILTER BAGS

EXCEPTIONAL QUALITY:

SKILLFULLY DESIGNED, DEFTLY MANUFACTURED, AND PROUDLY OVERBUILT IN OREGON, USA
 ASME-CERTIFIED WELDERS
 FDA COMPLIANT
 FOOD-GRADE MATERIALS

ELECTRICAL REQUIREMENTS:

55A @480V, 3-PHASE

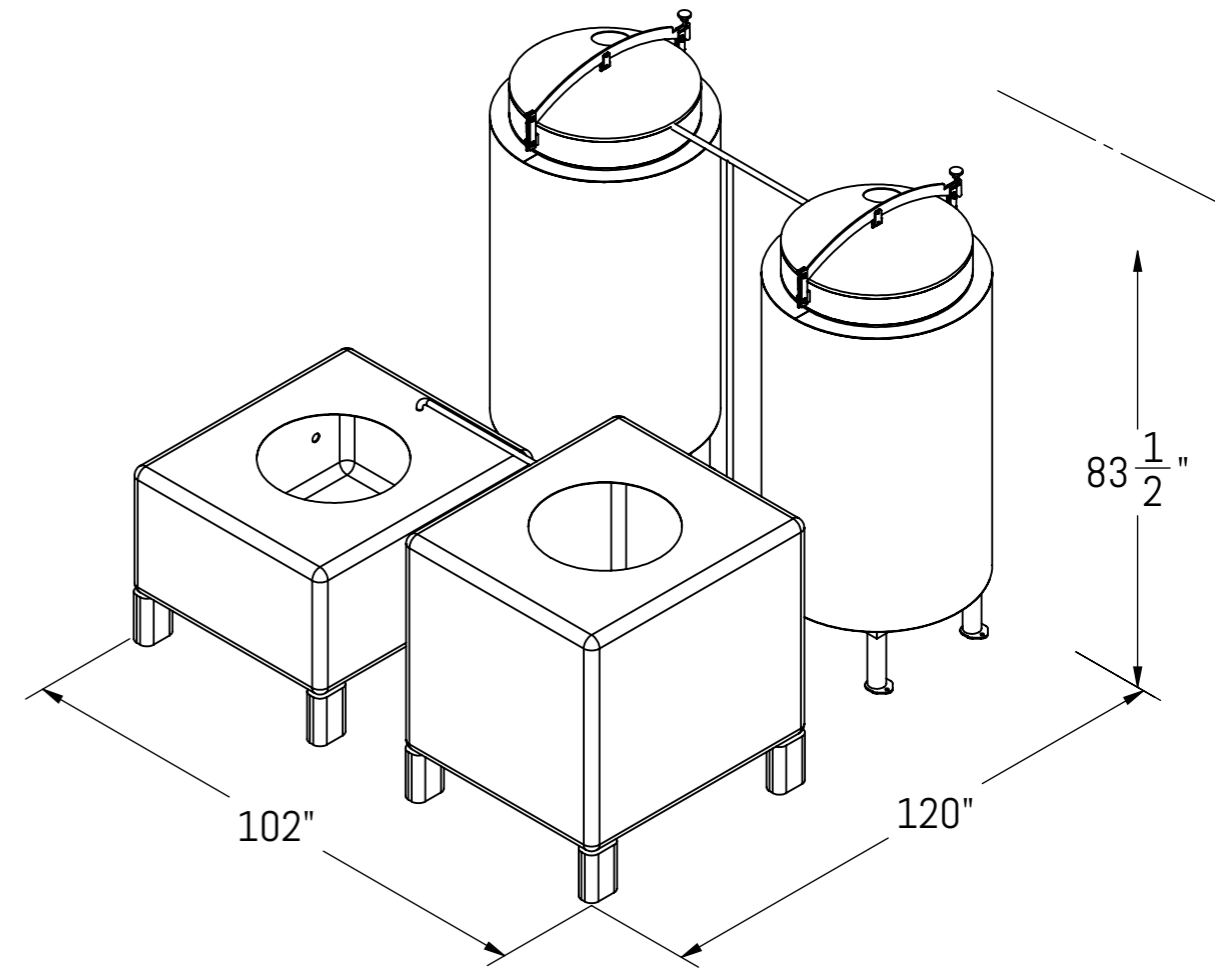
EXPRESS WARRANTY ON ALL PARTS MANUFACTURED BY SUBZERO SCIENTIFIC

SAFETY AND CODE COMPLIANCE:

CONTROL AREA REQUIRED FOR CLASS IB, GROUP D FLAMMABLE LIQUID:

PER IFC 2018, 5003.8.3/IBC 2018, 414.2

NON -INTRINSICALLY SAFE EQUIPMENT (ITEM 2) SHALL BE PLACED IN ACCORDANCE TO INTERNATIONAL FIRE CODE.



SUBZERO SCIENTIFIC 710 NE CLEVELAND AVENUE, SUITE 120, GRESHAM, OR 97030		PROJECTION METHOD: THIRD ANGLE 	DESCRIPTION: EXT-1200L PRODUCT SPECIFICATION	
PROUDLY OVERBUILT IN OREGON		WEIGHT: 2,500 LB	DRAWN BY: MJG	DRAWN DATE: 8/27/2019
UNLESS OTHERWISE SHOWN, DIMENSIONS ARE IN INCHES.		MATERIALS: FDA COMPLIANT	CHECKED/APP'D BY: LS	CHECKED DATE: 8/27/2019
PROPRIETARY AND CONFIDENTIAL THE INFORMATION CONTAINED HEREIN IS THE SOLE PROPERTY OF SUBZERO SCIENTIFIC, LLC.		FOOD-GRADE	MODEL NUMBER: 900000-002	
DRAWING STANDARD: BS8888	DO NOT SCALE DRAWING	DOCUMENT TYPE: PRODUCT SPEC. SHEET	DRAWING NUMBER:	SHEET: 1 of 1
				REVISION: 1

Subzero Scientific, LLC provides this material as a general guide for our valued customers. No recommendation, proposal, review, or approval of plans, specifications or other information or documentation by Subzero Scientific, LLC shall constitute a representation or warranty that such plans, specifications or other information or documentation satisfy any applicable laws or other requirements or will provide for a safe operation, and no such review or approval shall make Subzero Scientific, LLC otherwise liable with respect thereto. Customers shall be solely responsible for determining whether its plans, specifications, construction and maintenance meet its needs, satisfy applicable laws and other requirements and will provide for safe operation.